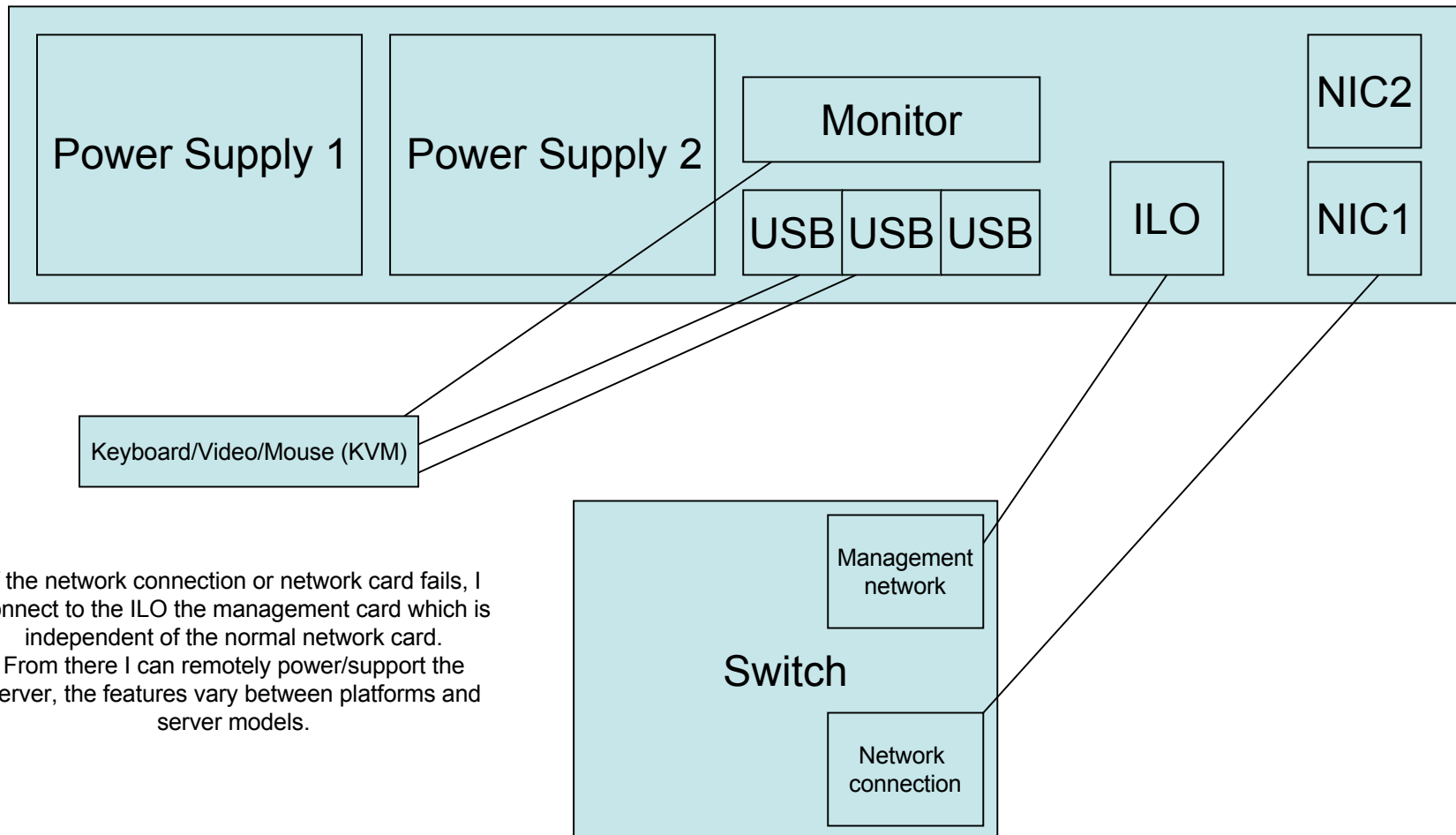


What's this RIB/ILO/Lights Out thing?

Rear of this 1u server, the blade would be similar, however the blade will have proprietary parts that connect it directly to the enclosure which provides this.



If the network connection or network card fails, I connect to the ILO the management card which is independent of the normal network card.

From there I can remotely power/support the server, the features vary between platforms and server models.